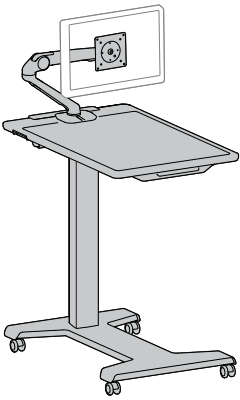


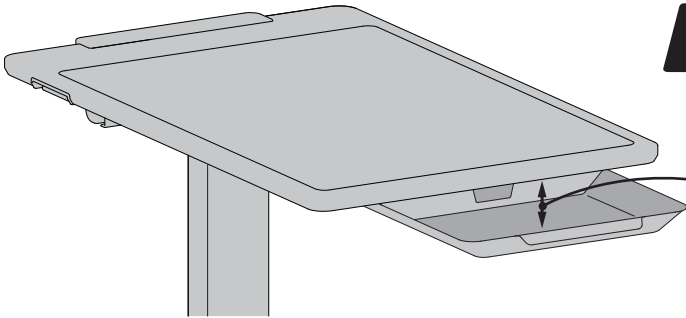
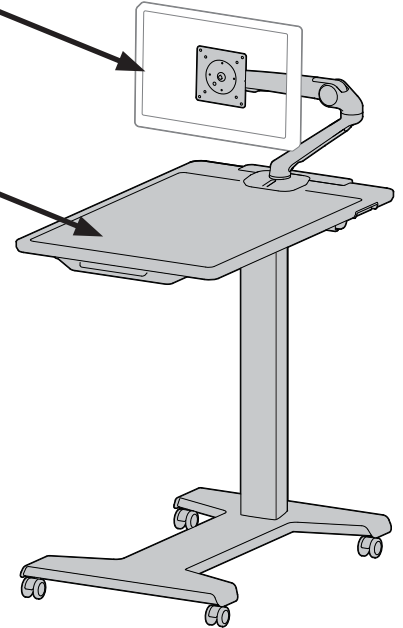
# Patient Engagement Table with MX mini LCD Desktop Arm



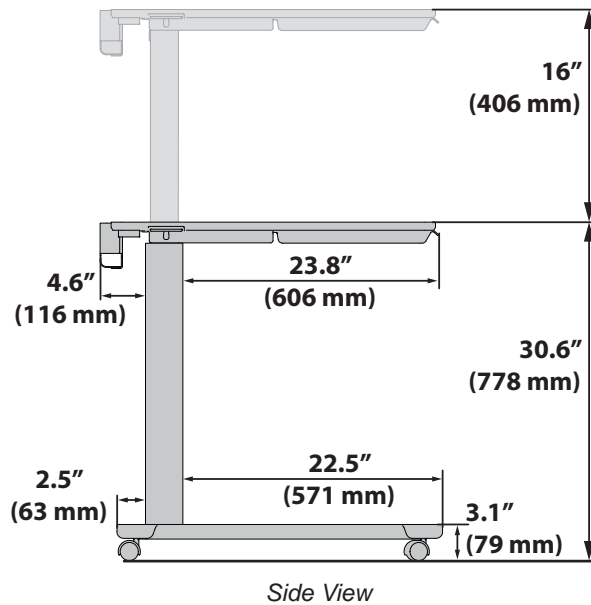
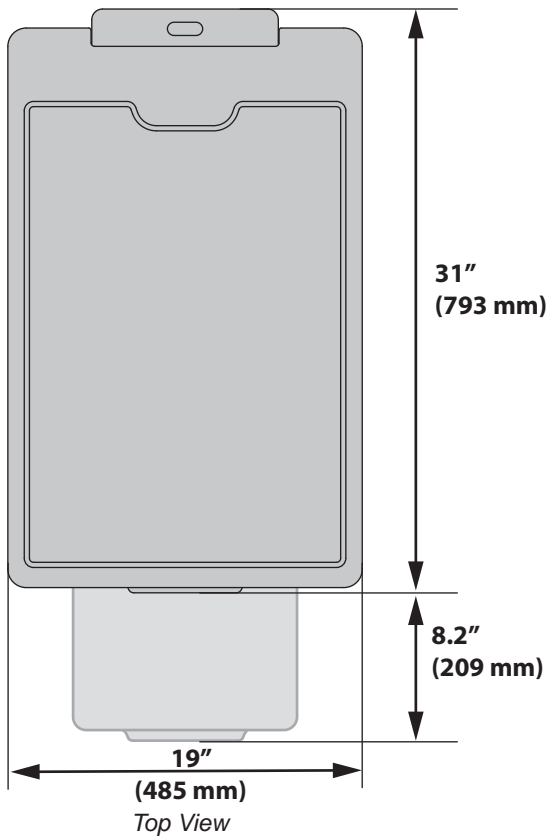
Weight Capacity:  
≤ 5.2lbs. (2.27kg)



Weight Capacity:  
≤ 20lbs. (9.07 kg)



Drawer Depth  
1.2"  
(30.3 mm)



© 2017 Ergotron, Inc. rev. 06/21/2017 DIM-SVPETMXmini Content is subject to change without notification

**Americas Sales and Corporate Headquarters**

St. Paul, MN USA  
(800) 888-8458  
+1-651-681-7600  
www.ergotron.com  
sales@ergotron.com

**EMEA Sales**

Amersfoort, The Netherlands  
+31 33 45 45 600  
www.ergotron.com  
info.eu@ergotron.com

**APAC Sales**

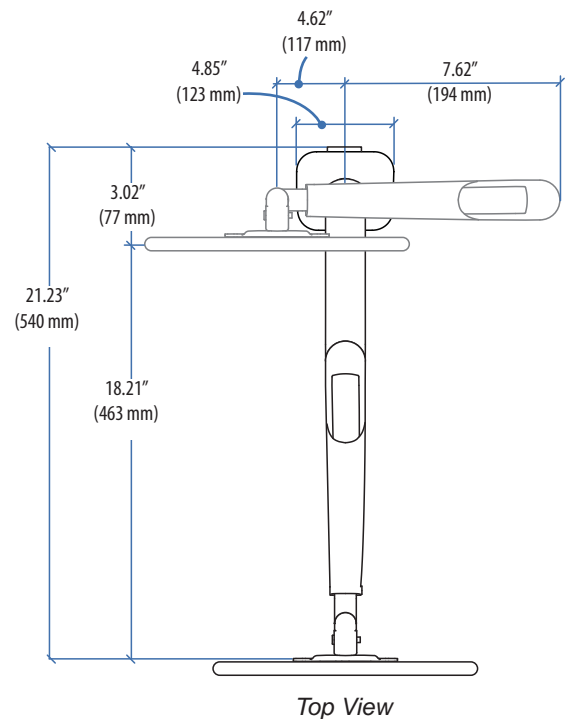
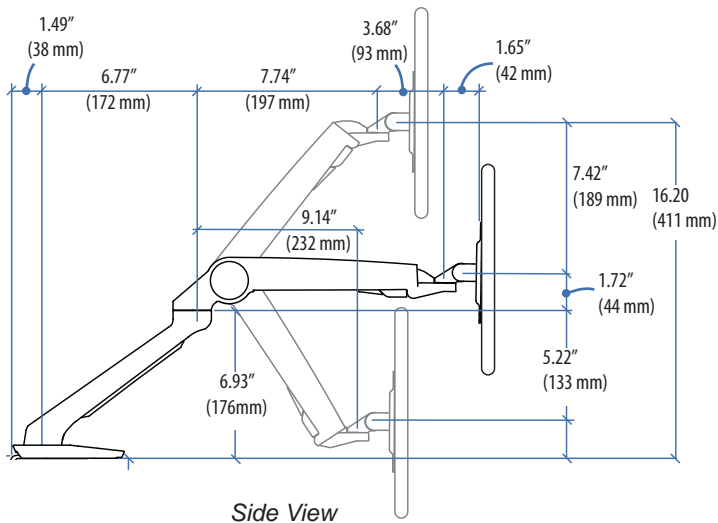
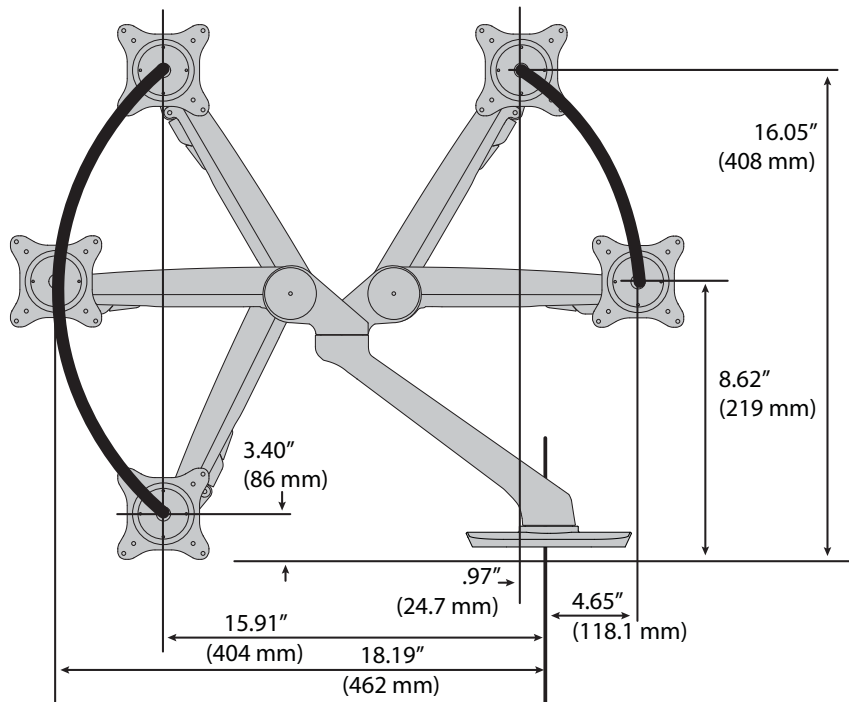
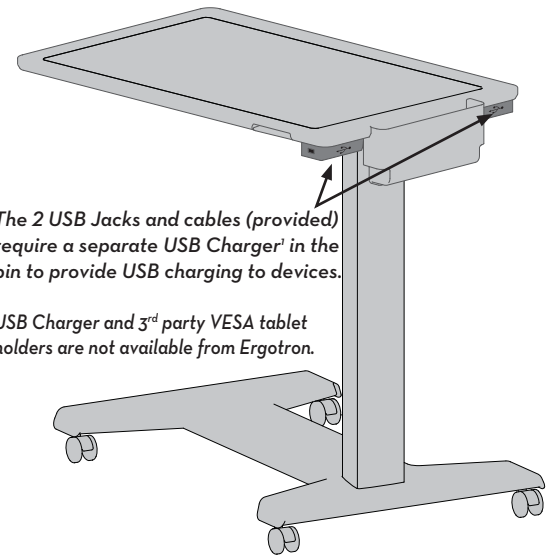
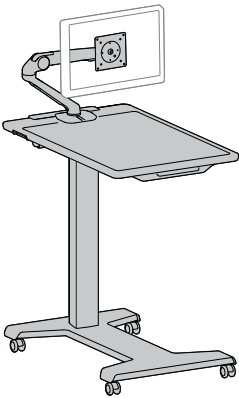
Tokyo, Japan  
www.ergotron.com  
apaccustomerservice@ergotron.com

**Worldwide OEM Sales**

www.ergotron.com  
info.oem@ergotron.com



# Patient Engagement Table with MX mini LCD Desktop Arm



© 2017 Ergotron, Inc. rev. 06/21/2017 DIM-SVPETMXmini Content is subject to change without notification

**Americas Sales and Corporate Headquarters**

St. Paul, MN USA  
(800) 888-8458  
+1-651-681-7600  
www.ergotron.com  
sales@ergotron.com

**EMEA Sales**

Amersfoort, The Netherlands  
+31 33 45 45 600  
www.ergotron.com  
info.eu@ergotron.com

**APAC Sales**

Tokyo, Japan  
www.ergotron.com  
apaccustomerservice@ergotron.com

**Worldwide OEM Sales**

www.ergotron.com  
info.oem@ergotron.com

